

# NBC-M12FSD/10,0-93B/R4RC - Network cable



1407547

<https://www.phoenixcontact.com/us/products/1407547>

Please be informed that the data shown in this PDF document is generated from our online catalog. Please find the complete data in the user documentation. Our general terms of use for downloads are valid.



Network cable, PROFINET CAT5 (100 Mbps), EtherCAT® CAT5 (100 Mbps), 4-position, shielded (Advanced Shielding Technology), Socket straight M12, coding: D / IP67, on Plug straight RJ45 Push Pull / IP67, cable length: 10 m

## Commercial data

Item number	1407547
Packing unit	1 pc
Minimum order quantity	1 pc
Sales key	BF04
Product key	BF1CJN
Catalog page	Page 397 (C-2-2019)
GTIN	4046356778527
Weight per piece (including packing)	761.1 g
Weight per piece (excluding packing)	761.1 g
Customs tariff number	85444210
Country of origin	PL

1407547

<https://www.phoenixcontact.com/us/products/1407547>

## Technical data

### Notes

General	This product corresponds to the PROFINET Cabling and Interconnection Technology Guideline for PROFINET regulations, version 2.00, order no: 2.252, Chapter 10.1 Cord Sets for Balanced Cabling
General	Further products with variable cable type and variable cable length can be found in the accessories section

### Product properties

Product type	Data cable preassembled
Sensor type	PROFINET
Number of positions	4
Application	Standard
No. of cable outlets	1
Shielded	yes
Coding	D

### Insulation characteristics

Overvoltage category	I
Degree of pollution	2

### Interfaces

Bus system	PROFINET
Signal type/category	PROFINET CAT5 (IEC 11801), 100 Mbps EtherCAT <sup>®</sup> CAT5 (IEC 11801), 100 Mbps

### Signaling

Status display	No
Status display present	No

### Electrical properties

Nominal voltage $U_N$	48 V AC
	60 V DC
Nominal current $I_N$	1 A
Transmission medium	Copper
Transmission characteristics (category)	CAT5 (IEC 11801:2002)

### Material specifications

Flammability rating according to UL 94	V2
--	----

### Connector

#### Connection 1

Type	Socket straight M12 / IP67
------	----------------------------

# NBC-M12FSD/10,0-93B/R4RC - Network cable



1407547

<https://www.phoenixcontact.com/us/products/1407547>

Number of positions	4
Coding type	D (Data)
Handle color	black
Material	CuSn (Contact) Ni/Au (Contact surface) PA (Contact carriers) TPU, hardly inflammable, self-extinguishing (Grip) Zinc die-cast, nickel-plated (Screw connection) FKM (Seal)
Insertion/withdrawal cycles	≥ 100
Contact resistance	≤ 5 mΩ
Insulation resistance	≥ 100 MΩ
Tightening torque	0.4 Nm
Degree of protection	IP67
Ambient temperature (operation)	-25 °C ... 90 °C

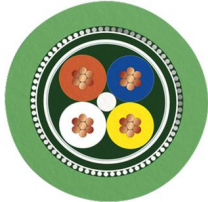
## Connection 2

Type	Plug straight RJ45 Push Pull / IP67
Number of positions	4 (8)
Locking type	Push Pull
Handle color	silver
Material	CuSn (Contact) Ni/Au (Contact surface) PC (Contact carriers) Zinc die-cast, nickel-plated (Housing)
Insertion/withdrawal cycles	≥ 750
Degree of protection	IP67
Ambient temperature (operation)	-40 °C ... 70 °C

## Cable/line

Cable length	10 m
--------------	------

## PROFINET PVC stranded CAT5 [93B]

Dimensional drawing	
Cable weight	67 kg/km
UL AWM Style	21694
Number of positions	4
Shielded	yes

# NBC-M12FSD/10,0-93B/R4RC - Network cable



1407547

<https://www.phoenixcontact.com/us/products/1407547>

Cable type	PROFINET PVC stranded CAT5 [93B]
Conductor structure	1x4xAWG22/7, SF/TQ
Signal runtime	5.3 ns/m
Signal speed	0.66 c
Conductor structure signal line	7x 0.25 mm
AWG signal line	22
Conductor cross section	4x 0.34 mm <sup>2</sup>
Wire diameter incl. insulation	1.55 mm
External cable diameter	6.5 mm ±0.2 mm
Outer sheath, material	PVC
External sheath, color	green RAL 6018
Conductor material	Tin-plated Cu litz wires
Material wire insulation	PE
Single wire, color	white, yellow, blue, orange
Thickness, outer sheath	approx. 0.9 mm
Overall twist	Star quad
Optical shield covering	85 %
Insulation resistance	≥ 500 MΩ*km
Coupling resistance	≤ 20.00 mΩ/m (at 10 MHz)
Loop resistance	≤ 120.00 Ω/km
Wave impedance	100 Ω ±15 Ω (at 100 MHz)
Nominal voltage, cable	600 V
Test voltage Core/Core	2000 V (50 Hz, 1 min.)
Test voltage Core/Shield	2000 V (50 Hz, 1 min.)
Minimum bending radius, fixed installation	3 x D
Minimum bending radius, flexible installation	7 x D
Smallest bending radius, fixed installation	20 mm
Smallest bending radius, movable installation	46 mm
Near end crosstalk attenuation (NEXT)	80 dB (with 1 MHz)
	76 dB (at 4 MHz)
	70 dB (at 10 MHz)
	65 dB (at 16 MHz)
	63 dB (at 20 MHz)
	60 dB (at 31.25 MHz)
	55 dB (at 62.5 MHz)
	50 dB (at 100 MHz)
Shield attenuation	2.1 dB (with 1 MHz)
	4 dB (at 4 MHz)
	6.3 dB (at 10 MHz)
	8 dB (at 16 MHz)
	9 dB (at 20 MHz)
	11.4 dB (at 31.25 MHz)
	16.5 dB (at 62.5 MHz)
	21.3 dB (at 100 MHz)

# NBC-M12FSD/10,0-93B/R4RC - Network cable



1407547

<https://www.phoenixcontact.com/us/products/1407547>

Flame resistance	according to UL 1685 (CSA FT 4)
Resistance to oil	Resistant to oil to a limited extent
Other resistance	UV resistant (According to UL 1581, Section 1200)
Ambient temperature (operation)	-40 °C ... 70 °C (cable, fixed installation) -40 °C ... 70 °C (Cable, flexible installation)
Ambient temperature (installation)	-20 °C ... 60 °C

## Environmental and real-life conditions

### Ambient conditions

Degree of protection	IP65 (M12 connector)
	IP67 (M12 connector)
	IP67 (RJ45 connector)

## Standards and regulations

### M12

Standard designation	M12 connector
Standards/specifications	IEC 61076-2-101

# NBC-M12FSD/10,0-93B/R4RC - Network cable

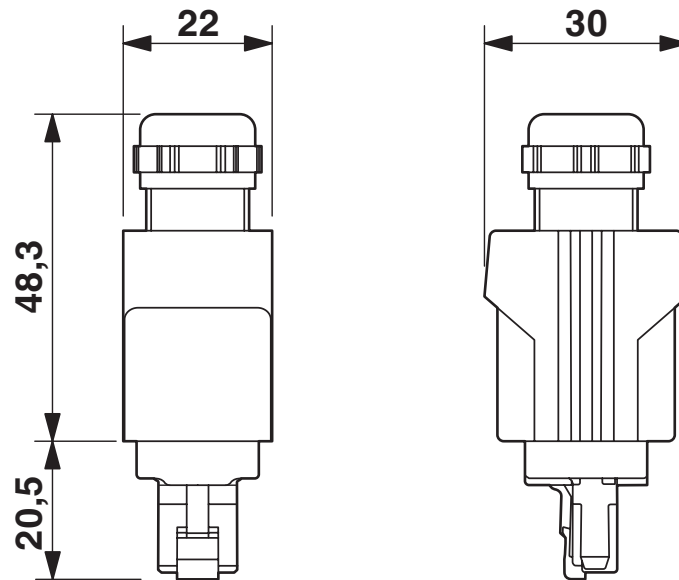
1407547

<https://www.phoenixcontact.com/us/products/1407547>



## Drawings

Dimensional drawing



RJ45 Push-Pull connector, IP67

Schematic diagram



Connector pin assignment plug RJ45

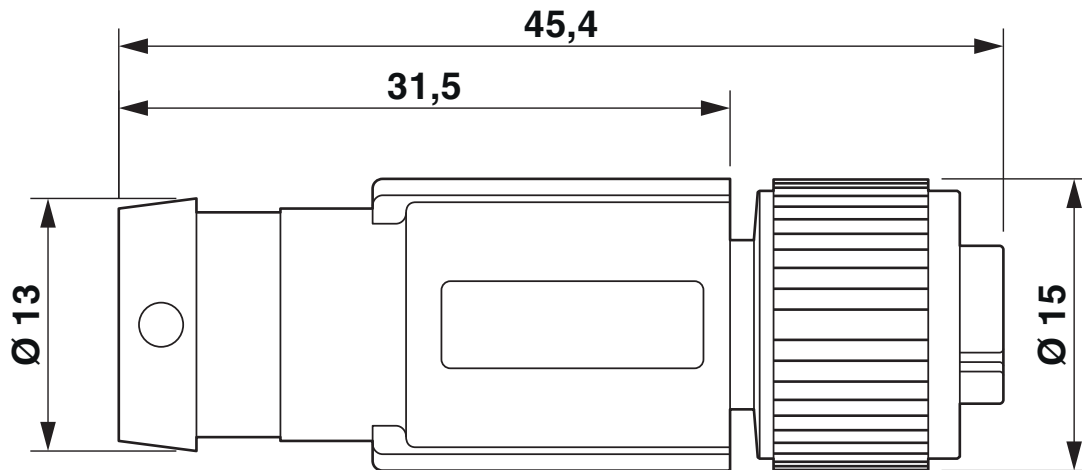
# NBC-M12FSD/10,0-93B/R4RC - Network cable



1407547

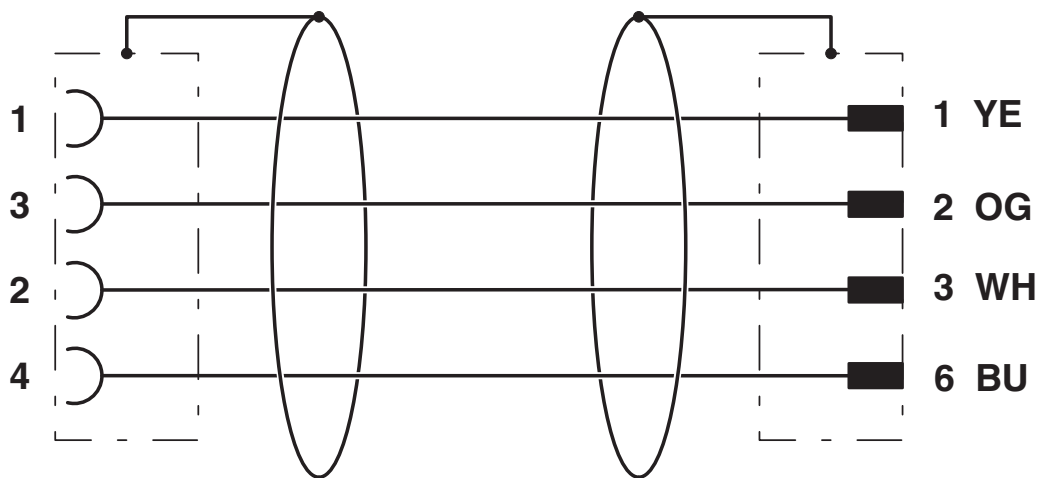
<https://www.phoenixcontact.com/us/products/1407547>

Dimensional drawing



M12 x 1 socket, straight, shielded

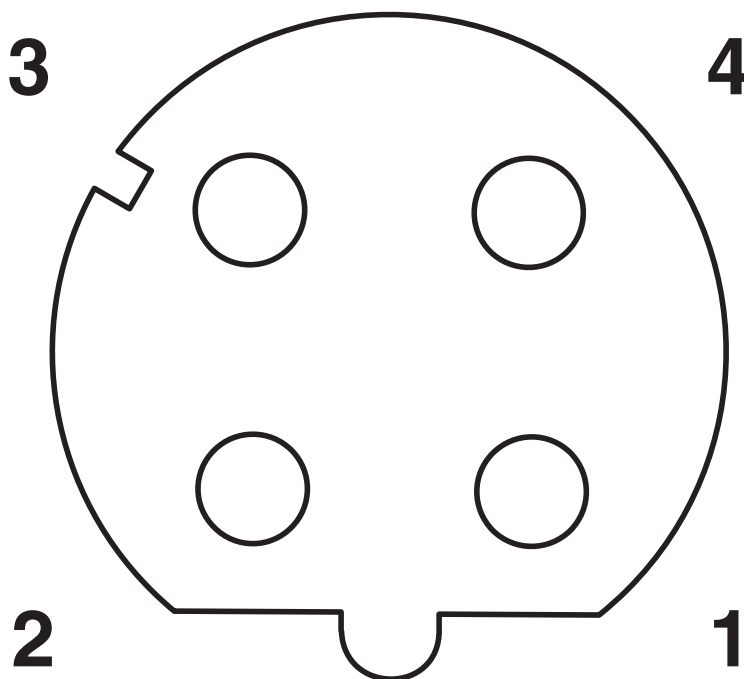
Circuit diagram



1407547

<https://www.phoenixcontact.com/us/products/1407547>

Schematic diagram



Pin assignment M12 socket, 4-pos., D-coded, female side

# NBC-M12FSD/10,0-93B/R4RC - Network cable



1407547

<https://www.phoenixcontact.com/us/products/1407547>

## Approvals

To download certificates, visit the product detail page: <https://www.phoenixcontact.com/us/products/1407547>



**EAC-RoHS**

Approval ID: RU D-DE.HB35.B.00387

# NBC-M12FSD/10,0-93B/R4RC - Network cable



1407547

<https://www.phoenixcontact.com/us/products/1407547>

## Classifications

### ECLASS

ECLASS-11.0	27060307
ECLASS-12.0	27060307
ECLASS-13.0	27060307

### ETIM

ETIM 9.0	EC001855
----------	----------

### UNSPSC

UNSPSC 21.0	26121600
-------------	----------

# NBC-M12FSD/10,0-93B/R4RC - Network cable



1407547

<https://www.phoenixcontact.com/us/products/1407547>

## Environmental product compliance

China RoHS	Environmentally friendly use period: unlimited = EFUP-e
	No hazardous substances above threshold values

# NBC-M12FSD/10,0-93B/R4RC - Network cable



1407547

<https://www.phoenixcontact.com/us/products/1407547>

## Accessories

### NBC-MSD-R4RC SCO-PN/.../... - Network cable

1408636

<https://www.phoenixcontact.com/us/products/1408636>



Network cable, PROFINET CAT5 (100 Mbps), EtherCAT® CAT5 (100 Mbps), 4-position, Variable cable type, shielded, Plug straight M12 SPEEDCON, coding: D / IP67, on Plug straight RJ45 Push Pull / IP67, cable length: Free input (0.2 ... 40.0 m)

### NBC-MRD-R4RC SCO-PN/.../... - Network cable

1408628

<https://www.phoenixcontact.com/us/products/1408628>



Network cable, PROFINET CAT5 (100 Mbps), EtherCAT® CAT5 (100 Mbps), 4-position, Variable cable type, shielded, Plug angled M12 SPEEDCON, coding: D / IP67, on Plug straight RJ45 Push Pull / IP67, cable length: Free input (0.2 ... 40.0 m)

# NBC-M12FSD/10,0-93B/R4RC - Network cable

1407547

<https://www.phoenixcontact.com/us/products/1407547>



## NBC-MSD-R4QC SCO-PN/.../... - Network cable

1408635

<https://www.phoenixcontact.com/us/products/1408635>



Network cable, PROFINET CAT5 (100 Mbps), EtherCAT® CAT5 (100 Mbps), 4-position, Variable cable type, shielded, Plug straight M12 SPEEDCON, coding: D / IP67, on Plug straight RJ45 Push Pull / IP67, cable length: Free input (0.2 ... 40.0 m)

---

## NBC-MRD-R4QC SCO-PN/.../... - Network cable

1408626

<https://www.phoenixcontact.com/us/products/1408626>



Network cable, PROFINET CAT5 (100 Mbps), EtherCAT® CAT5 (100 Mbps), 4-position, Variable cable type, shielded, Plug angled M12 SPEEDCON, coding: D / IP67, on Plug straight RJ45 Push Pull / IP67, cable length: Free input (0.2 ... 40.0 m)

## NBC-M12FSD/10,0-93B/R4RC - Network cable

1407547

<https://www.phoenixcontact.com/us/products/1407547>



### NBC-FSD-R4RC SCO-PN/.../... - Network cable

1408619

<https://www.phoenixcontact.com/us/products/1408619>



Network cable, PROFINET CAT5 (100 Mbps), EtherCAT<sup>®</sup> CAT5 (100 Mbps), 4-position, Variable cable type, shielded, Socket straight M12 SPEEDCON, coding: D / IP67, on Plug straight RJ45 Push Pull / IP67, cable length: Free input (0.2 ... 40.0 m)

---

### NBC-FRD-R4RC SCO-PN/.../... - Network cable

1408610

<https://www.phoenixcontact.com/us/products/1408610>



Network cable, PROFINET CAT5 (100 Mbps), EtherCAT<sup>®</sup> CAT5 (100 Mbps), 4-position, Variable cable type, shielded, Socket angled M12 SPEEDCON, coding: D / IP67, on Plug straight RJ45 Push Pull / IP67, cable length: Free input (0.2 ... 40.0 m)

# NBC-M12FSD/10,0-93B/R4RC - Network cable

1407547

<https://www.phoenixcontact.com/us/products/1407547>



## NBC-FSD-R4QC SCO-PN/.../... - Network cable

1408618

<https://www.phoenixcontact.com/us/products/1408618>



Network cable, PROFINET CAT5 (100 Mbps), EtherCAT<sup>®</sup> CAT5 (100 Mbps), 4-position, Variable cable type, shielded, Socket straight M12 SPEEDCON, coding: D / IP67, on Plug straight RJ45 Push Pull / IP67, cable length: Free input (0.2 ... 40.0 m)

---

## NBC-FRD-R4QC SCO-PN/.../... - Network cable

1408609

<https://www.phoenixcontact.com/us/products/1408609>



Network cable, PROFINET CAT5 (100 Mbps), EtherCAT<sup>®</sup> CAT5 (100 Mbps), 4-position, Variable cable type, shielded, Socket angled M12 SPEEDCON, coding: D / IP67, on Plug straight RJ45 Push Pull / IP67, cable length: Free input (0.2 ... 40.0 m)

# NBC-M12FSD/10,0-93B/R4RC - Network cable

1407547

<https://www.phoenixcontact.com/us/products/1407547>



## PROT-M12 MS-PA-CHAIN - Screw plug

1430899

<https://www.phoenixcontact.com/us/products/1430899>

M12 sealing cap with fixing band, for sensor cables, for free M12 sockets



---

## SAC-M12-EXCLIP-F - Locking clip

1558991

<https://www.phoenixcontact.com/us/products/1558991>

Locking clip for the socket side of sensor/actuator cables with M12 connector and M12 connectors for assembly, for knurl diameter: 15 mm or for Allen key with a wrench size of 14 mm, prevents the disconnection of plug-in connections without tools



# NBC-M12FSD/10,0-93B/R4RC - Network cable



1407547

<https://www.phoenixcontact.com/us/products/1407547>

## TSD 04 SAC - Torque screwdriver

1208429

<https://www.phoenixcontact.com/us/products/1208429>



Torque screwdriver, with preset torque of 0.4 Nm and 4 mm hexagonal drive for M12 connectors

---

## TSD-M 1,2NM - Torque screwdriver

1212224

<https://www.phoenixcontact.com/us/products/1212224>



Torque screw driver, accuracy as per EN ISO 6789 standard, adjustable from 0.3 - 1.2 Nm

# NBC-M12FSD/10,0-93B/R4RC - Network cable



1407547

<https://www.phoenixcontact.com/us/products/1407547>

## TSD-M SAC-BIT ADAPTER - Adapter insert

1212600

<https://www.phoenixcontact.com/us/products/1212600>



Adapter bit for TSD-M...torque tools, E6.3-1/4" drive with 4 mm hexagon to accommodate SAC bits

## SAC BIT M12-D15 - Tool

1208432

<https://www.phoenixcontact.com/us/products/1208432>



Nut for assembling sensor/actuator cables with M12 connector and M12 connectors for assembly, with a knurl diameter of 15 mm, for 4 mm hexagonal drive

Phoenix Contact 2024 © - all rights reserved  
<https://www.phoenixcontact.com>

Phoenix Contact USA  
586 Fulling Mill Road  
Middletown, PA 17057, United States  
(+717) 944-1300  
[info@phoenixcon.com](mailto:info@phoenixcon.com)